

# CC65

FG01511

## Contractor Ceiling Speaker

The CC65 ceiling speaker is a two-way system designed for flush mount installations in nearly any ceiling. The speakers can be installed in new construction or existing construction. The CC65 has been specifically designed for maximum value, achieving excellent audio performance while maintaining affordability.

### PACKAGE CONTENTS

Each package contains one pair of CC65 speakers, 1 pair of Aluminum MicroPerf Grilles, and 1 pair of cardboard paint mask/hole templates.

### INSTALLATION CONSIDERATIONS

The CC65 can be installed in either new construction or existing construction. For existing construction, use the cardboard paint mask/hole template to cut the correct size hole in the ceiling.

For new construction, a new-construction bracket should be used to reserve the location of the speaker and to provide a guide for the drywall installer to cut the appropriate hole. The CC65 is compatible with Niles CM700 Series new-construction brackets.

### EXISTING CONSTRUCTION INSTALLATION

1. Place the cardboard paint mask/hole template up to the drywall in the selected location and mark the hole size.
2. Drill a starting hole.
3. Use a sheetrock or keyhole saw to cut the hole.

### **!** IMPORTANT

Be sure that there is 3-7/8" behind the drywall. Be very careful not to saw through existing wires, pipes or structure. If you feel extra resistance as you are cutting, stop.

### NEW CONSTRUCTION INSTALLATION

1. Follow the instructions included with the bracket to install the bracket to the joists.
2. Install the drywall over the bracket.
3. Drill a starting hole.
4. Use a sheetrock or keyhole saw to cut the hole.

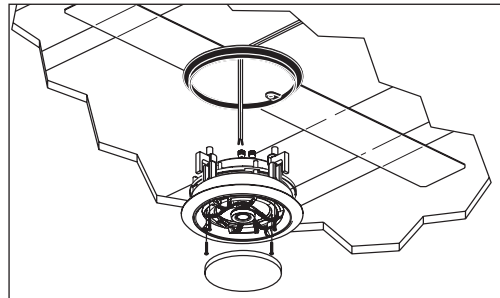
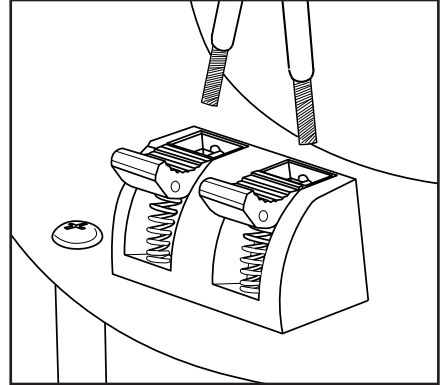


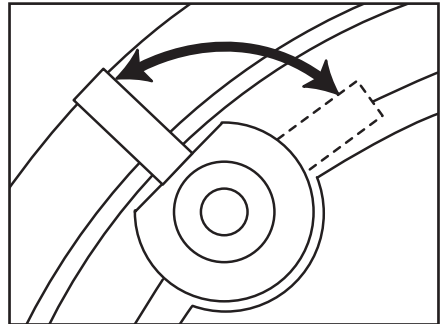
Figure 1. New construction bracket.

## FINAL INSTALLATION

1. Remove the grille by rotating the mounting dogs out and pulling them towards the front of the speaker.
2. At each location route the signal wires to the speaker.
3. Strip away  $\frac{1}{4}$  inch of insulation from each signal wire.
4. Connect the wires by pressing down on the tab on the input terminals. (see **Figure 2**)
5. Connect the positive signal wire to the red terminal.
6. Connect the negative signal wire to the black terminal.
7. Rotate the mounting dogs back to their original position.
8. Insert the speaker into the hole. Make sure it stays flush to the ceiling as it is secured into place.
9. Tighten the mounting dogs by using a #2 Phillips head screwdriver. If using a cordless drill, utilize a low torque setting and low speed. (see **Figure 3**)
10. Rotate the mounting screws just until the mounting dogs hold the speaker completely flush to the ceiling.
11. Re-install the grille.



**Figure 2.** Loudspeaker connectors.



**Figure 3.** Mounting "dog" rotation.

## PAINTING THE SPEAKER

1. Place the paint mask/hole template over the speaker.
2. Paint the frame of the speaker.
3. Paint the grille separately. For best results use a spray gun or airless sprayer. Thin the paint to prevent clogging the grille hole.



BLENDING HIGH FIDELITY AND ARCHITECTURE®

Niles Audio Corporation  
12331 S.W. 130 Street Miami, Florida 33186  
Phone: 305-238-4373 Fax: (305) 238-0185  
[www.nilesaudio.com](http://www.nilesaudio.com)

©2007 Niles Audio Corporation. All rights reserved. Niles and the Niles logos are registered trademarks of Niles Audio Corporation. All other trademarks are the property of their respective owners. DS00630A