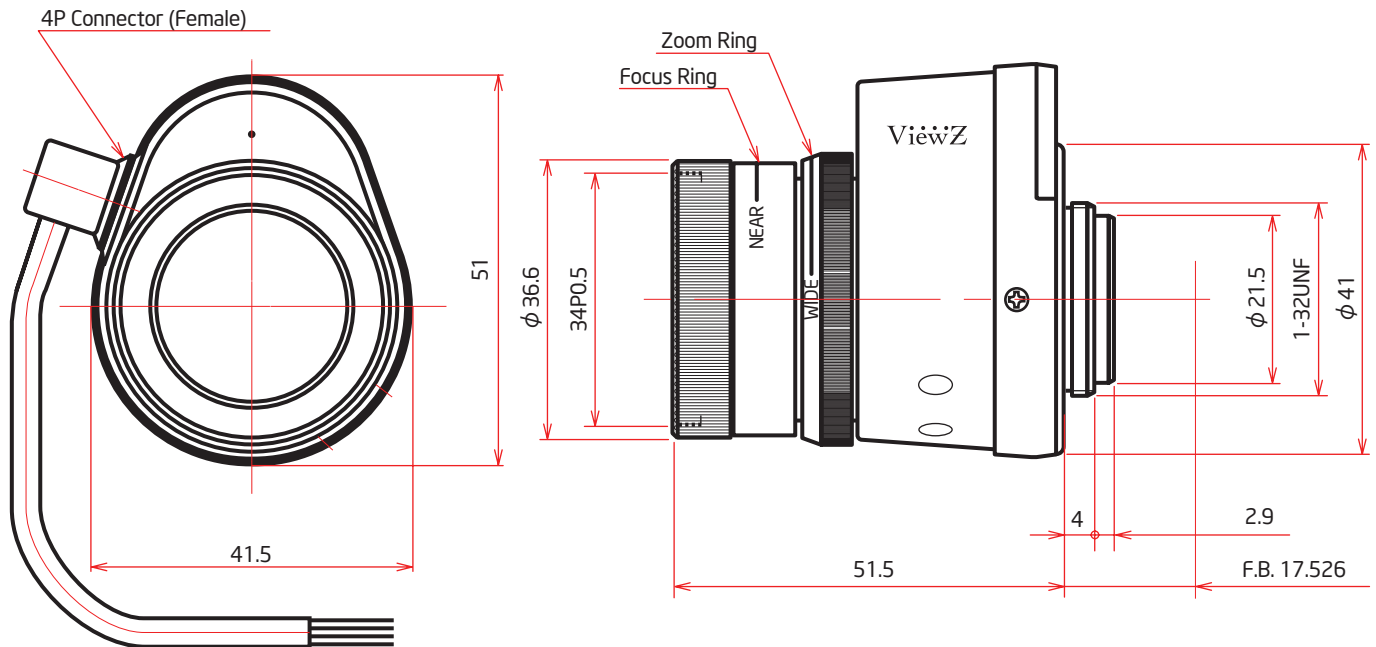


SPECIFICATIONS

Focal Length	6 ~ 12 mm	Flange Back	17.526 mm
Maximum Relative Aperture	1:1.4 (Tele End 1:1.8)	Operation Voltage	Close to Open : Less than 3.0V Open to Close : More than 0.5V
Iris	F1.4 - Approx. 360 (With ND Spot Filter)	Operation Focus	Manual
Angular Field of View	56.1° x 43.6° at 6 mm 29.9° x 22.6° at 12 mm	Operation Iris	IG (Auto Close System)
Image Format	6.4 x 4.8 mm (∅8 mm)	Operation Temperature	- 10 °C ~ 50 °C / 14 °F ~ 122 °F
Minimum Object Distance	0.25 m (From Front Vertex)	Mount	C-Mount (Adjustable Lens Position)
Object Dimensions at M.O.D	28.6 x 21.9cm at 6 mm 15.4 x 12.0cm at 12 mm	Front Thread	34mm P0.5
Optical Back Focal Distance	11.0 mm (In Air)	Size, Weight	∅36.6 x 51(W) x 41.5(H) x 51.5(D) mm, Approx. 70g

DIMENSIONS

UNIT: mm



CIRCUIT DIAGRAM

