

Model AE7570 All-Weather Outdoor TV Enclosure

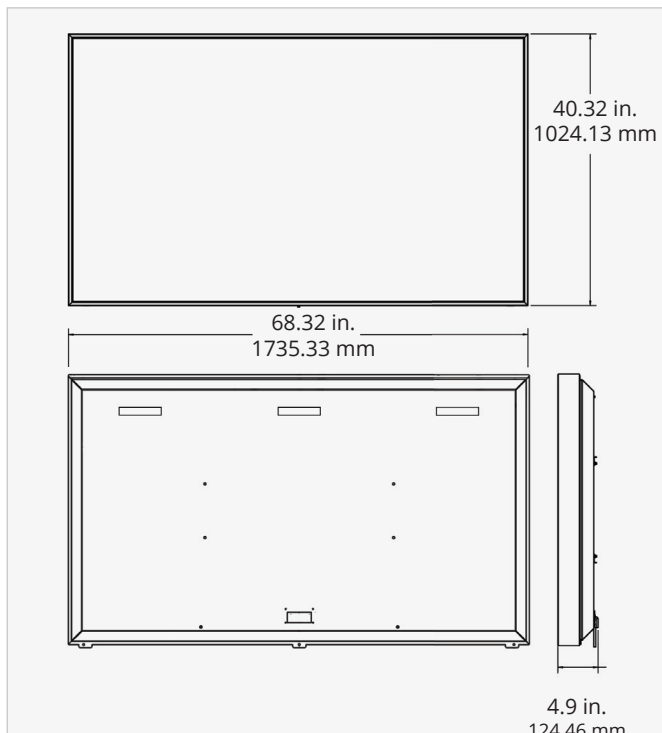


Model 7570 fits most 70" - 75" slimline LED/LCD TVs

Available with Apollo weatherproof mount of your choice
(Mount drawings and specs on back page.)



Model AE7570 Drawings and Specs



Features

- All aluminum powder coated construction for durability and style
- Anti-reflective safety glass reduces glare and enhances contrast
- Tight-Seal technology seals your TV against rain, dust, and insects
- Temperature controlled, multi-filtered air-flow system protects your TV in temperatures of -4° (-20° C) to 122°F (50° C)
- Down-facing Sound Port transfers TV speaker audio effectively to maximize audio performance
- E-Z mount hinging interior TV brackets for simplified TV installation and easy access to TV cables and cable management
- Watertight cable cover protects cable connections to your TV inputs and outputs
- 9' outdoor rated power cable for safe outdoor installation
- 1' extension power cord to accommodate internal connection of power packs or right angle plugs
- Available with choice of full-motion wall mount or tilt wall mount
- Standard color in Black, with three designer color options

Specifications	Model AE7570
Fits TV Sizes	70" to 75" Slimline LED/LCD TVs
Max TV dimensions the enclosure accommodates	66.5" W x 38.3" H x 2.7" (1689.1 x 972.82 x 68.58 mm) *Be sure to measure deepest section of your TV
Power Requirements	110/240 VAC
Mount Options (Choice of one) Drawings & Specs on Next Page	AWM 407 Articulating Wall mount WM607NA Non-articulating Wall Mount
Enclosure Dimensions	68.32" W x 40.32" H x 4.9" D (1735.33 X 1024.13 X 124.46 mm)
Shipping Dimensions	74.5" W x 44.75" H x 9.75" D (1892.3 x 1136.65 x 247.7 mm)
Enclosure Weight	73.5 lbs (33.33 kg)
Shipping Weight	89 lbs (40.37 kg)



Complies with:
UL/CSA 60950-1
UL/CSA 60950-2

Optional Accessories and Designer Colors

- DC7570 - Custom protective dust cover of washable, durable fabric (coming soon).
- HM001i - Thermostatically controlled Heater Module for installation in areas of extreme humidity and where temperatures dip below -04° F to -40° F.
- MOD70 - Modesty bezels available for framing smaller TVs
- HDMI-90 - HDMI right-Angle Adapter (May be necessary when installing TVs with rear-facing HDMI Ports)

Designer Color Upgrades available in Silver, White and Metallic Sandstone

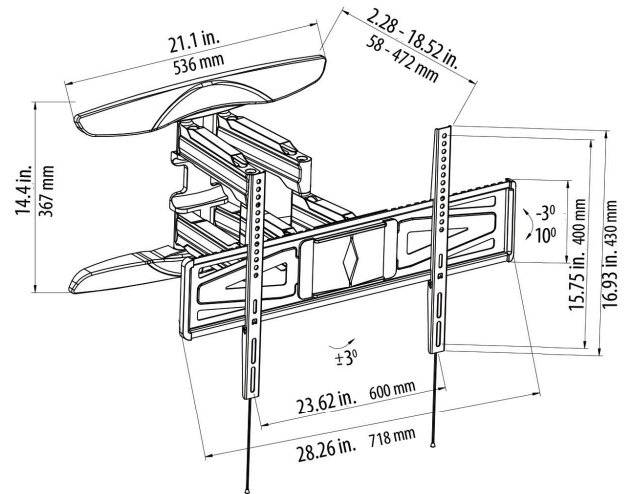


Weatherproof Mount Selections for Apollo Enclosure Model AE7570

Apollo mounts are designed for outdoor installation with weatherproof construction and stainless steel hardware.

AWM407 Articulating Wall Mount Specifications For Model AE7570

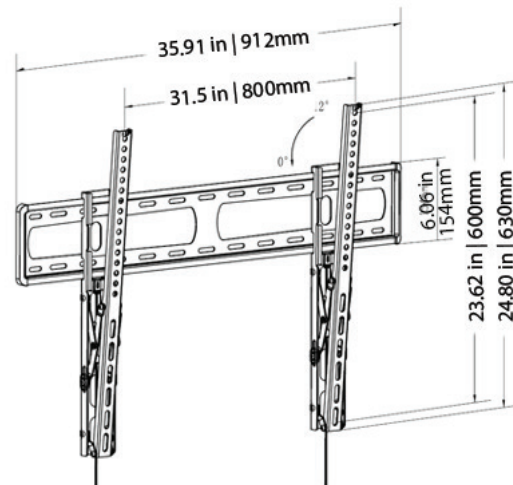
Description	Weather resistant aluminum dual arm, full-motion, tilting wall mount with stainless steel hardware, Black.
Extension	2.3" to 18.5" (58.4 to 469.9 mm)
Tilt	Adjustable from -3° to 10°
Mount Weight	23.7 lbs. (10.8 kg)
Shipping Weight	26.5 lbs. (12.0 kg)
Shipping Carton	30" H x 16.6"W x 3.7"D (762 x 421.6 x 94 mm)



or

WM607NA Non Articulating Mount Specifications For Model AE7570

Description	Weather resistant non-articulating wall mount with stainless steel hardware, Black.
Tilt	Adjustable from 0° to 12°
Mount Weight	11.02 lbs. (5.0 kg)
Shipping Weight	12.13 lbs. (5.5 kg)
Shipping Carton	36.93" H x 6.61" W x 1.97" D (938.02 x 168 x 50mm)



www.apolloenc.com | 888.414.5919

Copyright 2017 Apollo Enclosures LLC. All rights reserved

Rev 7570-spec-170217