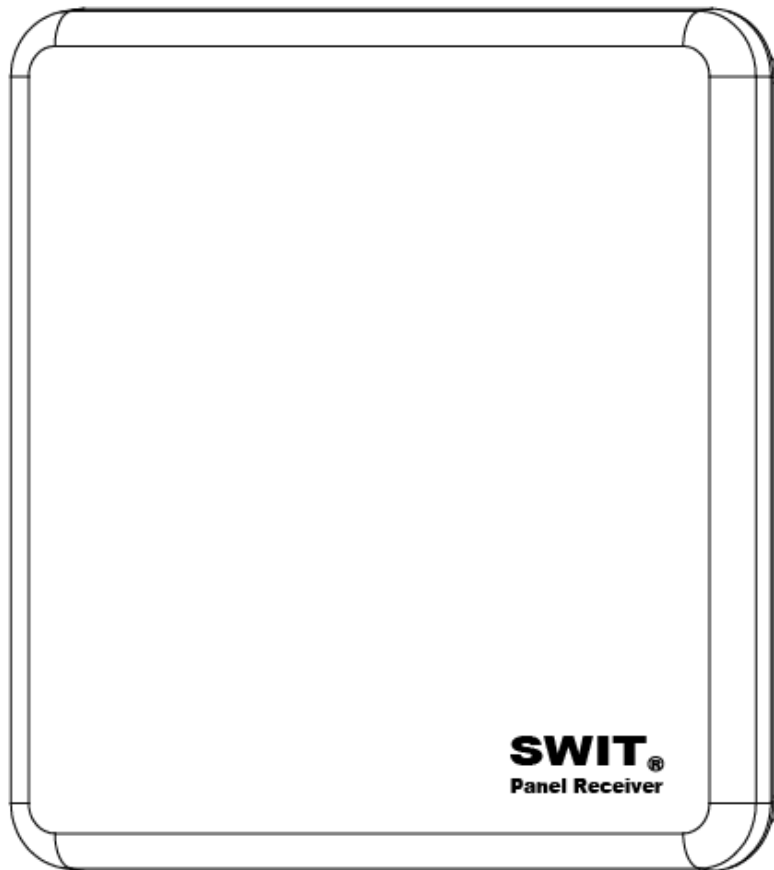


SWIT[®]

SWIT ELECTRONICS CO., LTD

Model:S-4990

Panel Receiver



User Manual

Ver:A

Please read this User Manual
throughout before using

Preface

1. All internal technologies of this product are protected, including device, software and trademark. Reproduction in whole or in part without written permission is prohibited.
2. All brands and trademarks of SWIT Electronics Co., Ltd. are protected and other relative trademarks in this user manual are the property of their respective owners.
3. Due to constant effort of product development, SWIT reserves the right to make changes and improvements to the product described in this manual without prior notice.
4. The warranty period of this product is 2 years, and does not cover the following:
 - (1) Physical damage to the products;
 - (2) Any damage or breakdown caused by use, maintenance, or storage not according to the user manual's instructions;
 - (3) The attenuation of signal quality resulting from being used in any special environments;
 - (4) Any damage caused by not powering the product by package supplied power adaptor.
 - (5) Any damage or breakdown not caused by the product's design, workmanship, or manufacturing quality, etc.
5. For any suggestions and requirements on this product, please contact us through phone, fax, Email, etc.

SWIT Electronics Co., Ltd.

Address: 10 Hengtong Road, Nanjing Economic and Technological Development Zone,
Nanjing 210038, P.R.China

Phone: +86-25-85805753

Fax: +86-25-85805296

Email: contact@swit.cc

<http://www.swit.cc>

For Your Safety

Before start, please follow the safety precautions below

Do not try the followings:

1. Unauthorized repairs or parts replacement or other operations.
2. Inappropriate placement including but not limited to lighting, fire, exposure to rain, water or gas.
3. Switch to the power not in the voltage allowable range.



Warning

- Do not get any liquid inside the product.
- Do not block the ventilation openings or get substances inside, in order to avoid short circuit, fire or electric shock.
- Do not soak the product into water to avoid electric shock or fire.
- Make sure the protection work on the rainy day.
- Do not reverse the receiver to get the best transmission effect.



Danger

- Switch the power off before connecting other devices.
- Power socket: Make sure the power socket under the voltage range of the product to avoid short circuit, electric shock and fire.
- Power cable: Make sure the power cable is not pressed or tightened by any items or weights.
- Power Load: Do not exceed the load on the wall outlet, extension cable or other porous receptacle to avoid fire or electric shock.
- Lighting: Disconnect the power cable if it is lighting or not using in a lperiod of time.

Working environment

- Please don't lay the product on any unstable place to avoid fallen damage
- Please don't use the product in a place overheating, undercooling or with lots of moisture, or near by strong magnetic devices.
- Please don't lay the product on metal shelf, in order to ensure the effective wireless transmission.

Product introduction

S-4990 adopts integrated design, using the structure of existing directional panel antenna with a built-in wireless receiver, which solving the reduction of SMA interface connection reliability caused by repeating screwed of the connector pin and hole, and the high frequency impedance matching imbalance problem. And can strengthen the overall dust and waterproof performance.

◆ License free operation frequency

The wireless frequency is 5.1-5.9GHz, license free operated.

◆ Frequency channel selection

Adopt buttons to select frequency channel and digital tube to display, easier to operate.

◆ Various SWIT transmitters optional

S-4990 can work with SWIT S-4914T or S-4904T transmitter with max transmission distance 1000m line of sight.

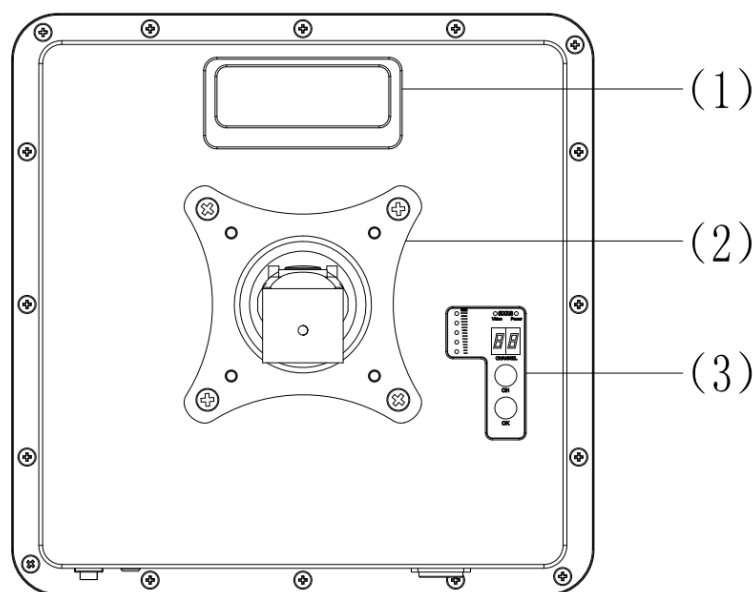
◆ All-Metal Shell

Both the transmitter and receiver adopt metal shell which is durable and solid.

◆ Simple connection

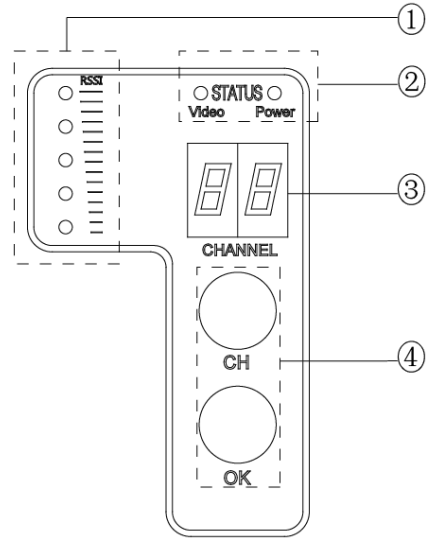
The wireless system is plug-and-play designed, without any software connection and configuration.

Installation instruction



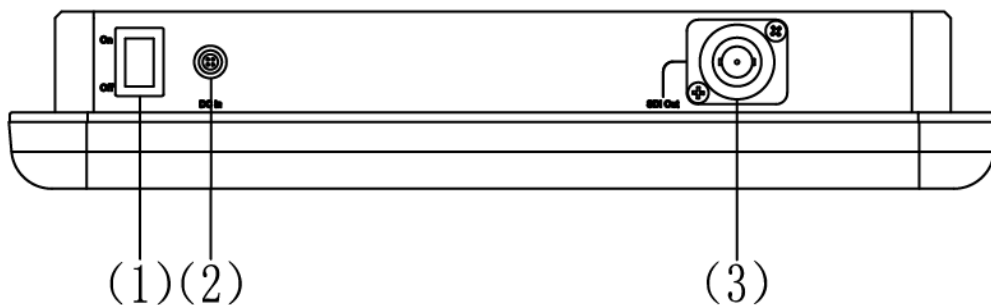
Rear view

- (1) **Handle**
- (2) **VESA bracket**
- (3) **Control area:**
 - ① RSSI: Receiving signal LED indicator
 - ② STATUS: Video signal and power status indicator
 - ③ CHANNEL: Digital display frequency channel
 - ④ Button: CH button: Selecting “0-9” 10 channels;
OK button: Confirming selected channel



The description of LED status indicator

Device	Indicators	Status	Description
S-4990 receiver	Power	Constant On	Power connected and switched on
		Off	Power disconnected or switched off
	Video	Constant On	Network connected, and there is recognizable video signal output
		Off	Network connection failed and there is no recognizable video signal output
	RSSI	0~1 LEDs light	The wireless network connection is weak, and the video noise is visible
		2~3 LEDs light	The wireless network connection is general, and the video quality is good
4~5 LEDs light		The wireless network connection is strong, and the video quality is very good	



Bottom view

- (1) **On/Off** : Switch the power On/Off
- (2) **DC in** : Support DC 7-36V voltage input, 4-pin lockable LEMO connector
- (3) **SDI Out** : SDI output (BNC connector)

Specification

Model	S-4990	
Input	LEMO DC input	
Output	3G/HD/SD-SDI×1	
Input voltage	7-36V DC	
Power consumption	≤7W	
SDI Format	SMPTE-425M	1080P(60 / 59.94 / 50)
	SMPTE-274M	1080i (60 / 59.94 / 50)
		1080p (30 / 29.97 / 25 / 24 / 23.98)
	SMPTE-296M	720p(60 / 59.94 / 50)
	SMPTE-125M	480i (59.94)
	ITU-RBT.656	576i (50)
LED indicator	POWER: Yellow VIDEO: Green RSSI: Green (5 LEDs)	
Wireless frequency	5150-5850MHz	
Antenna gain	14±0.5dBi	
Standing Wave ratio(SWR)	≤2.0	
Electrical Impedance	50 Ω	
Antenna Polarization	3*Vertical±±45°	
Temperature range	0 - 40°C (Working temperature); -20 - 60°C(Storage temperature)	
Dimension	305*305*58.5 (mm) (exclude VESA bracket)	
Net weight	2.38Kg (include VESA bracket)	