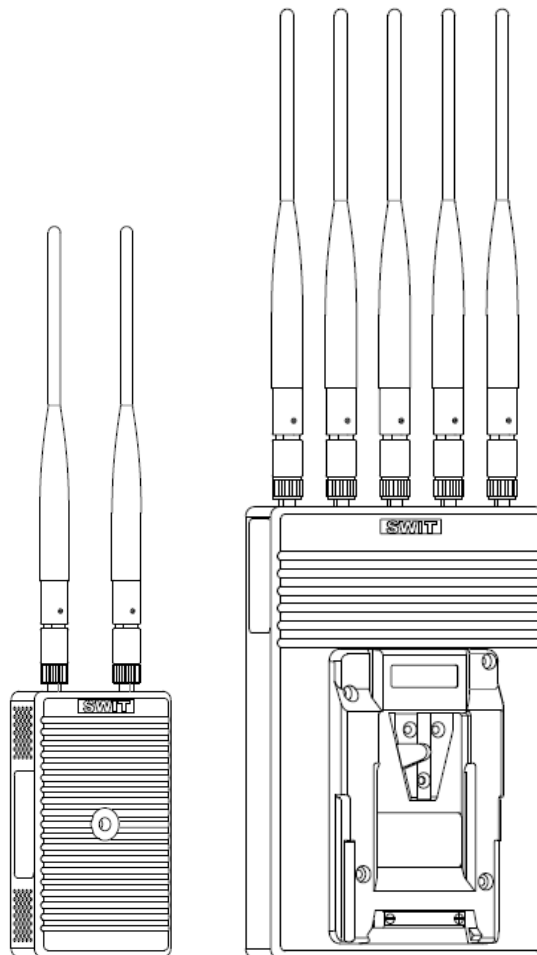


---

## Wireless HD Transmission System



# User Manual

Please read this User Manual  
throughout before using.

## Preface

Congratulations on your purchase of this product. Please read this user manual carefully.

1. All internal technologies of this product are protected, including device, software and trademark. Reproduction in whole or in part without written permission is prohibited.
2. All brands and trademarks of SWIT Electronics Co., Ltd. are protected and other relative trademarks in this user manual are the property of their respective owners.
3. Due to constant effort of product development, SWIT reserves the right to make changes and improvements to the product described in this manual without prior notice.
4. The warranty period of this product is 2 years, and does not cover the following:
  - (1) Physical damage to the products;
  - (2) Any damage or breakdown caused by use, maintenance, or storage not according to the user manual's instructions;
  - (3) The attenuation of signal quality resulting from being used in any special environments;
  - (4) Any damage caused by not powering the product by package supplied power adaptor.
  - (5) Any damage or breakdown not caused by the product's design, workmanship, or manufacturing quality, etc.
5. For any suggestions and requirements on this product, please contact us through phone, fax, Email, etc.

---

### **SWIT Electronics Co., Ltd.**

Address: 10 Hengtong Road, Nanjing Economic and Technological Development Zone,  
Nanjing 210038, P.R.China

Phone: +86-25-85805753

Fax: +86-25-85805296

Email: [contact@swit.cc](mailto:contact@swit.cc)

Website: <http://www.swit.cc>

## For Your Safety

**Before start, please follow the safety precautions below**

Do not try the followings:

1. Unauthorized repairs or parts replacement or other operations.
2. Inappropriate placement including but not limited to lighting, fire, exposure to rain, water or gas.
3. Switch to the power not in the voltage allowable range

- **The product**

1. Do not use the products near water or in high humidity environments.
2. Do not block the ventilation openings or get substances inside, in order to avoid short circuit, fire or electric shock.
3. Switch the power off if any liquid or substance gets inside the product.

- **The power**

The products can be powered by battery or AC-DC power adaptor.

When the batteries are attached to the products, please make sure they are correctly and firmly locked.

Please use the package supplied power adapter. For third party AC-DC adaptor, please make sure the voltage is within the specified range and the polarity connection is correct.

Please disconnect the power cable under the following situations:

1. If you do not operate this product for a period of time;
2. If the power cable or power adaptor is damaged;
3. If the product housing is broken.

- **Working Environment**

1. Please don't lay this product on the unstable place.
2. Please don't lay the product on metal shelf, in order to ensure the effective wireless transmission.
3. Please don't use the products in a place with lots of moisture, soot or dust.

### **About the radio waves**

The products adopt 5.1-5.9GHz wireless frequency, with the low antenna power specified under international and U.S. FCC radio wave regulations. Therefore a license for radio station use is not required to operate this product.

## 1. Product Introduction

This broadcast industry wireless system includes S-4914T transmitter and S-4914R receiver, adopts WHDI (OFDM) technology, supports uncompressed 3G/HD/SD-SDI and HDMI wirelessly transmitted in 700 meters scale, and with less than 1ms latency, which is widely used in on-site shooting and director monitoring.

## 2. Features

### ◆ Uncompressed 3G/HD/SD-SDI and HDMI transmission

Support up to 1080p 50/60 uncompressed SDI & HDMI wireless transmission

### ◆ 700 meters transmission distance

In open outdoor area, the effective transmission distance is approx 700 meters.

### ◆ Less than 1ms latency

There's no discernible video delay and you can use it as real time on-location monitoring.

### ◆ License free operation frequency

The wireless frequency is 5.1-5.9GHz, license free operated.

### ◆ SDI/HDMI embedded audio transmission

Support CH-1 and CH-2 SDI/HDMI embedded audio wireless transmission

### ◆ Multicast support

Support one transmitter to multi receivers. User can set frequency to pair the transmitter and receivers.

### ◆ Encryption

Support AES 128-bit encryption to protect the transmission.

### ◆ Battery plate optional

User can choose various DV battery plates for S-4914T transmitter and Gold mount or V-lock mount for S-4914R receiver.

### ◆ All-Metal Shell

Both the transmitter and receiver adopt metal shell which is durable and solid.

### ◆ Simple connection

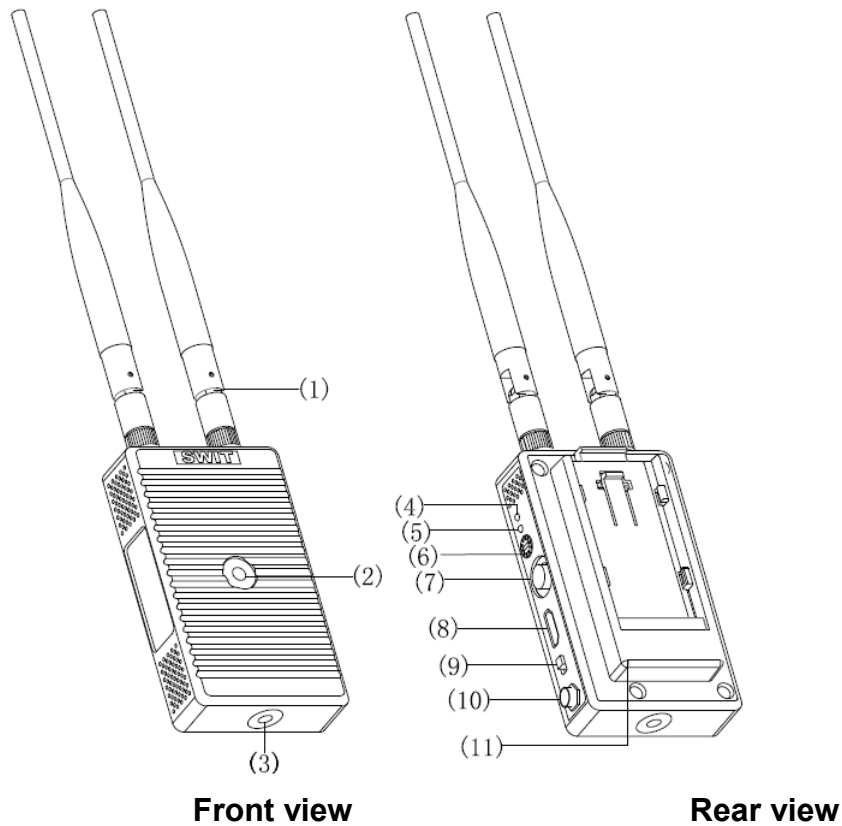
The wireless system is plug-and-play designed, without any software connection and configuration.

### Remark:

1. The transmission distance may be different, and depend on surroundings, radio wave conditions, buildings, etc., the 700 meters transmission distance may be not guaranteed.
2. The wireless transmission might be interrupt if there're many other devices of 5GHz wireless bandwidth operated in the in the same location.
3. Signal reception may be affected by the position, height and angle of devices. If reception video is not stable, please physically adjust placement for the optimized signal.
4. Open the antennas at various angles and set receiver higher will enhance the transmission efficiency.
5. The product offers the AES 128-bit encryption to protect the wireless transmission. Anyway, please be ware of the intentional capture from third person.

### 3. Product Instruction

#### Transmitter S-4914T

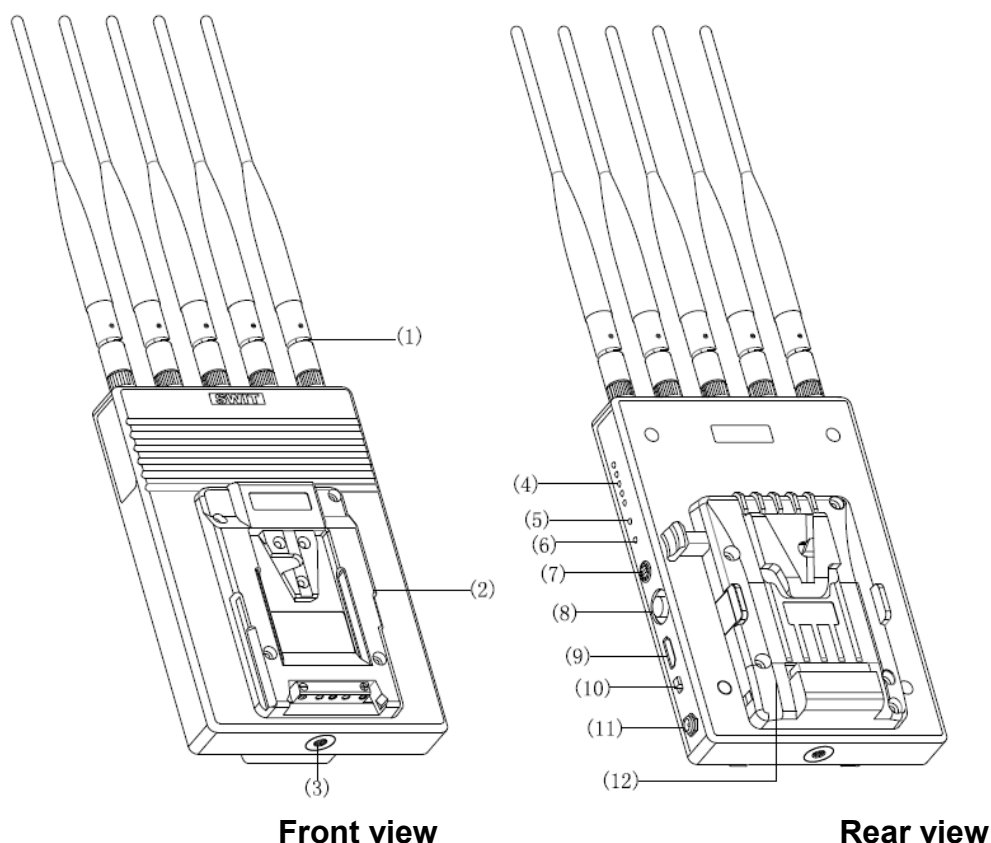


- (1) **Antenna**
- (2)、(3) **Installation thread:**  
1/4"-20 thread. Use the package supplied articulating arm trestle to install the device to the camera.
- (4)、(5) **LED status indicators:**  
Including Power, Video Signal and Wireless connection condition indicators
- (6) **Wireless frequency dial switch**  
Set frequency range from 0~9, in total 10 channels
- (7) **SDI in:** 3G/HD/SD-SDI input (BNC connector)
- (8) **HDMI in:** HDMI input (HDMI-A type connector)
- (9) **On/Off:** Switch the power on/off
- (10) **DC in:** Support DC 6.5-17V voltage input, 5.5mm/2.1mm. Outside: negative, Inside: positive
- (11) **Battery Plate:** Various DV battery plate optional. See details in "7. Optional Battery Plate"

#### The description of LED status indicator

Device	Indicators	Status	Description
S-4914T	Power	Constant On	Power connected and switched on
		Off	Power disconnected or switched off
	Video	Constant On	Network is connectioned, and there is recognizable video signal input
		Off	Network connection failed and there is no recognizable video signal input

## Receiver S-4914R



- (1) **Antenna**
- (2) **Power installer:** V-mount or Gold mount lock for optional. To power through the same battery mounted on the monitor.
- (3) 1/4"-20 threaded hole.
- (4) **RSSI:** Wireless received signal strength indicator
- (5)、(6) **LED status indicators:**  
Including Power, Video Signal and Wireless connection condition indicators
- (7) **Wireless frequency dial switch**  
Set frequency range from 0~9, in total 10 channels
- (8) **SDI out:** SDI output (BNC connector)
- (9) **HDMI out:** HDMI output (HDMI-A type connector)
- (10) **On/Off:** Switch the power on/off
- (11) **DC in:** Support DC 6.5-17V voltage input, 5.5mm/2.1mm. Outside: negative, Inside: positive
- (12) **Battery Plate:** Gold mount or V-mount battery plate optional. See details in "7. Optional Battery Plate"

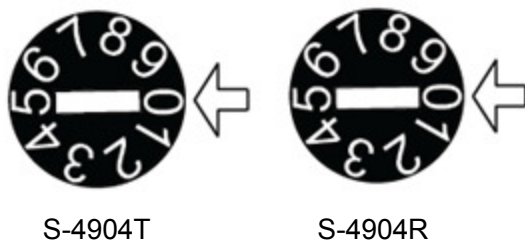
### The description of LED status indicator

Device	Indicators	Status	Description
S-4914R	Power	Constant On	Power connected and switched on
		Off	Power disconnected or switched off
	Video	Constant On	Network connectioned, and there is recognizable video signal output
		Off	Network connection failed and there is no recognizable video signal output
	RSSI	0~1 LEDs light	The wireless network connection is weak, and the video noise is visible
		2~3 LEDs light	The wireless network connection is general, and the video quality is good
		4~5 LEDs light	The wireless network connection is strong, and the video quality is very good

## 4. Frequency Dial Switch

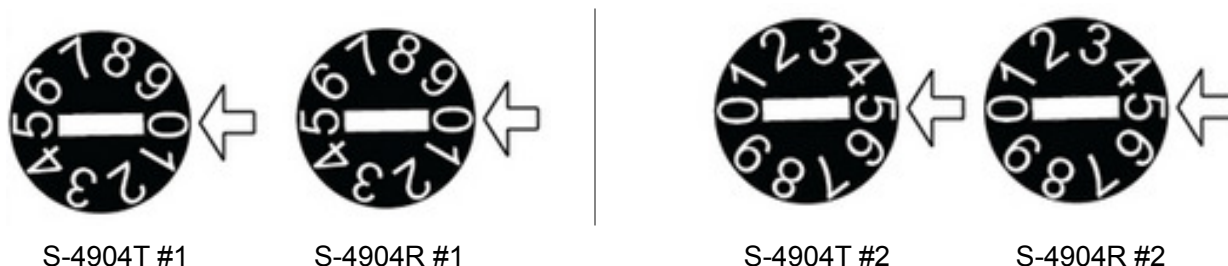
### 4.1 Using ONE set of devices under the same environment

Dial the frequency switch of both transmitter and receiver to the same channel (in the same channel number), the default channel number is "0":



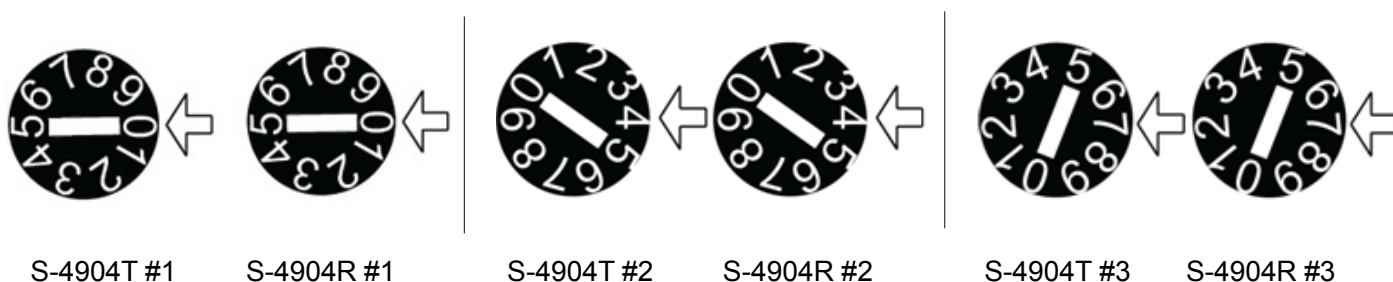
### 4.2 Using TWO sets of devices under the same environment

It is suggested that set the dial switch of the first set to channel "0" and the second set to channel "5":



### 4.3 Using three sets of devices under the same environment

It is suggested that set the dial switch of the first set to channel "0", the second set to channel "4" and the third set to channel "7":



Note: 1. Please don't use more than 3 sets of devices under the same environment to avoid interference.

2. To use multicast, just set several receivers at the same frequency channel as the one transmitter.

## 5. Build Connection

- (1) Connect the SDI or HDMI video source with the "SDI IN" / "HDMI IN" port of S-4914T transmitter.
- (2) Connect the "SDI OUT" / "HDMI OUT" port of S-4914R receiver with monitor or other receiving devices.
- (3) Dial the S-4914T and S-4914R to the same frequency channel.
- (4) Power S-4914T and S-4914R, they will automatically search the network, the S-4914R output video signal OSD displayed as Fig1.
- (5) The network will be built after 10-20 seconds, the "RSSI" of receiver indicates the wireless network connection status.
- (6) When S-4914R detect the recognizable video signal, "Video" indicator will light and OSD will disappear.

Link Connecting...

Fig1

Remark: S-4914T support SDI input and HDMI input, and it will automatically detect the connected signal input. If both SDI and HDMI are connected, S-4914T will give priority to transmit SDI signal.

## 6. How to get the best effect of wireless transmission

- (1) Set the antennas of S-4914T and S-4914R as below Fig2 and Fig 3 to extend the transmission distance and achieve stable transmission quality.

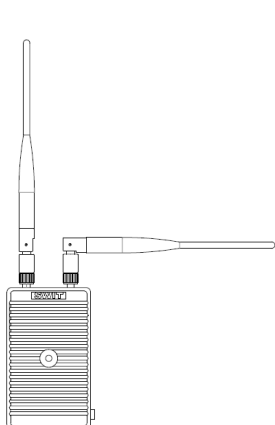


Fig2

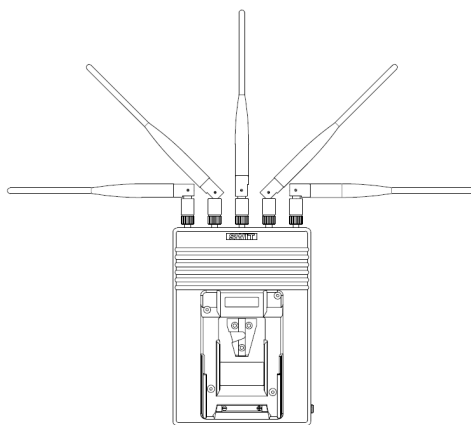


Fig3

- (2) Set the receiver S-4914R as high as possible like Fig 4.

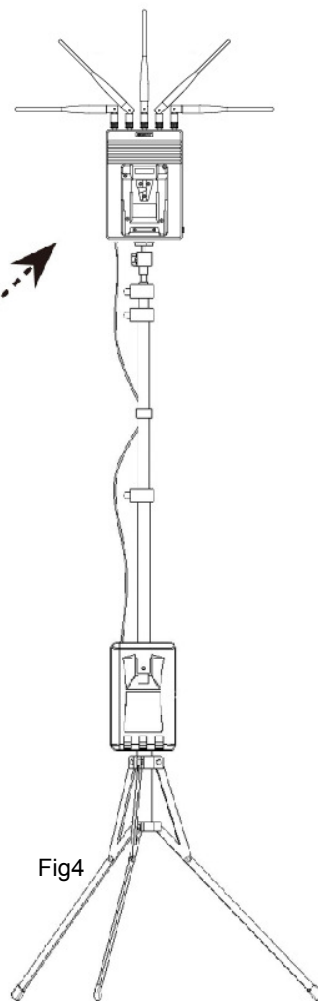
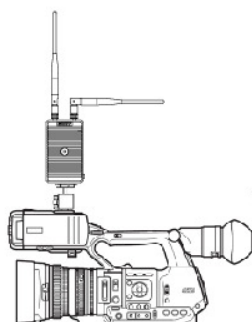


Fig4

- (3) Avoid walls, trees, water and any blockage as best as you can. (Fig5)

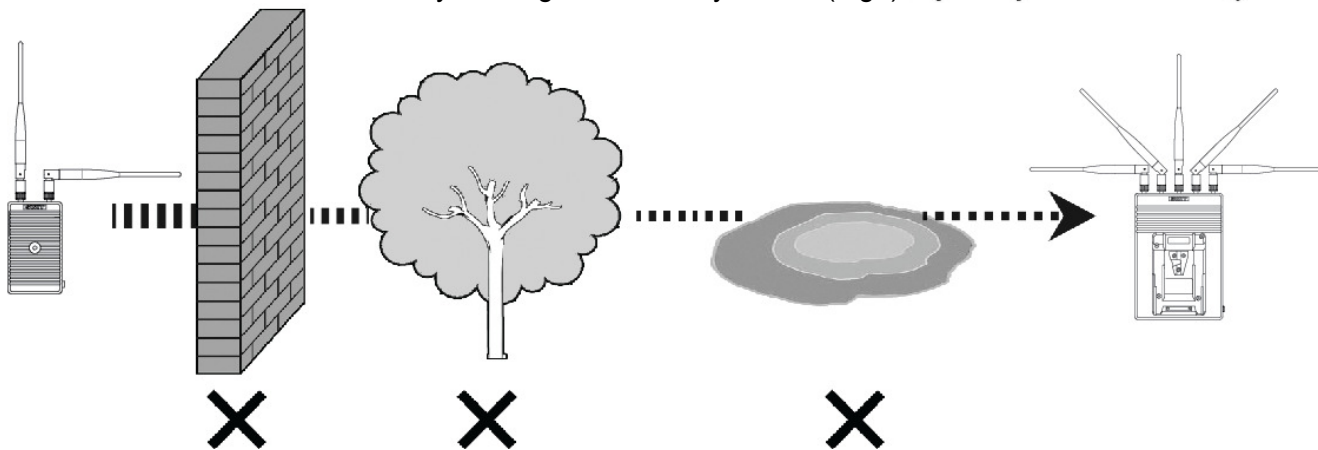


Fig5



## 7. Optional Battery Plate

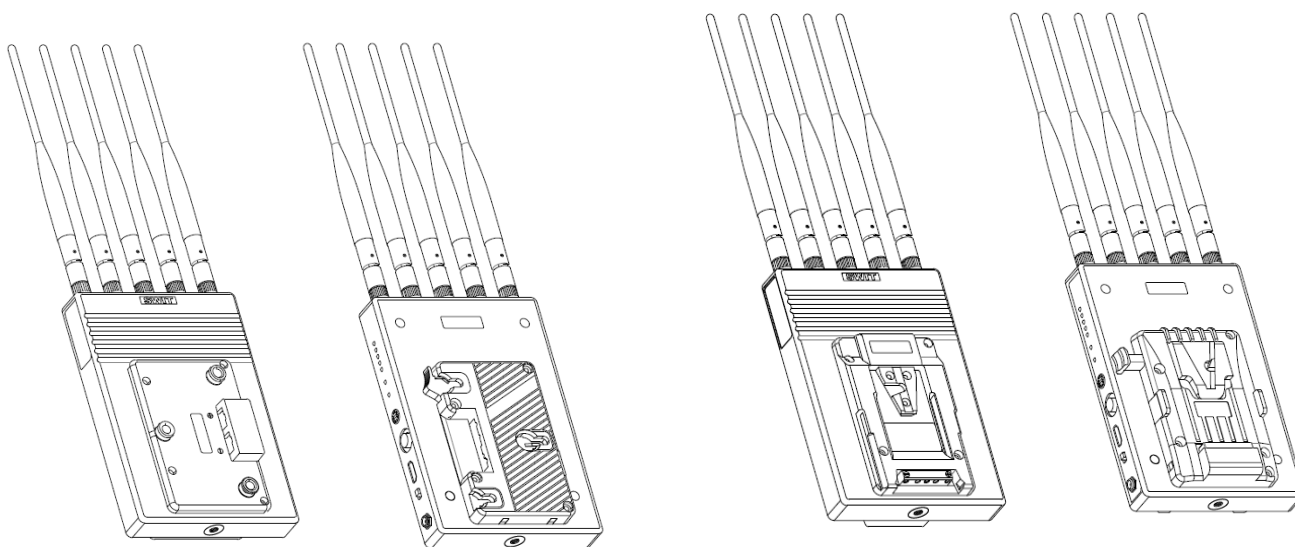
### 7.1 S-4914T Battery plate choice

S-4914T is equipped with DV battery plate to be powered by standard DV batteries. There're following different types of DV batteries for choice:

Plate type	Compatible battery	Recommended SWIT battery
F	SONY L series NP-F770/970	S-8972, S-8970, S-8770
U	SONY BP-U60/30	S-8U93, S-8U63
D	Panasonic CGA-D54S/D28S Panasonic VW-VBD58	S-8D62, S-8D58
B	Panasonic VW-VBG6	S-8BG6
J	JVC BN-V428	S-8428
V	JVC BN-VF823	S-8823
I	JVC SSL-JVC50	S-8I50
C	Canon BP-930/945/970G	S-8945, S-8845
E	Canon DSLR battery LP-E6	S-8PE6

### 7.2 S-4914R Battery plate choice

S-4914R provides V-mount or Gold mount two-sided plates for installing between monitor and battery, so that the battery can power the monitor and S-4914R simultaneously.



安顿型

V字型

Note: The battery plates are fixed on S-4914T and S-4914R at factory, please specify the suitable plate type before purchase.

## 8. Trouble-Shooting

If the receiver failed to output video correctly, the possible causes are as below, please find the solution from following chart:

The receiving video	Possible Causes	Solution
No display	No power	Check power connection and switch on the transmitter and receiver
	The antennas are not installed properly and screwed tightly	Install the antennas properly and screw tightly of both transmitter and receiver
	Bad connection of video cable	Check video cable connection of both transmitter and receiver
	Video format is not supported	Check the format of video source. (See the supported video formats at <b>9. Specifications.</b> )
Video quality is poor	Bad connection of video cable	Check video cable connection and if possible, change to better quality cables.
	The wireless transmission is disturbed by environment, such as other electronic devices in the same location.	Wait for one minute or reboot both the transmitter and receiver
	The transmission distance is out of effective range or being interfered by obstacles.	Try the wireless transmission at a closer distance or clean out the obstacles

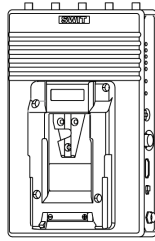
## 9. Specifications

Model	Transmitter S-4914T	Receiver S-4914R
Input	3G/HD/SD-SDI×1, HDMI×1	/
Output	/	3G/HD/SD-SDI×1, HDMI×1
SDI format	SMPTE-425M	1080p (60 / 59.94 / 50)
	SMPTE-RP211	1080psf (30 / 29.97 / 25 / 24 / 23.98)
	SMPTE-274M	1080p (30 / 29.97 / 25 / 24 / 23.98)
		1080i (60 / 59.94 / 50)
	SMPTE-296M	720p (60 / 59.94 / 50)
	SMPTE-125M	480i (59.94)
ITU-R BT.656	576i (50)	
HDMI format	480i / 576i / 1080i (60 / 59.94 / 50) / 720p (60 / 59.94 / 50) / 1080p (60 / 59.94 / 50 / 30 / 29.97 / 25 / 24 / 23.98)	
Wireless frequency	5.1~5.9GHz	
Radio modules	OFDM 16QAM	
Max Transmission distance	Approx 700m (Line of sight)	
Latency	≤ 1 millisecond	
Power consumption	≤6.5W	≤6.5W
Radio power	Max 63mW	/
Input voltage	DC / Battery:6.5~17V	DC / Battery:6.5~17V
Working environment	Temperature: 0°C -+40°C	
Dimension	71×123×37 (mm)	130×191×65 (mm)
Net weight(with antenna)	300g	876g

## 10. Packing List



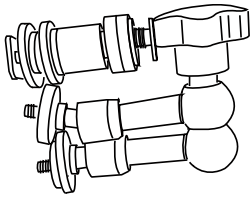
Transmitter S-4914T×1



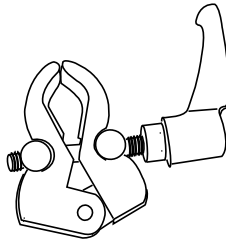
Receiver S-4914R×1



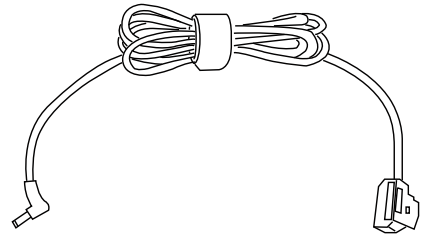
Antenna×10



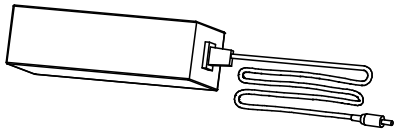
Articulating arm trestle×1



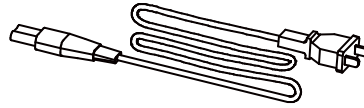
Crab clamps×1



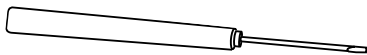
D-tap to 5.5/2.1mm pole cable×1



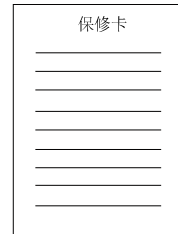
5.5/2.1mm pole power adaptor×1



Power cable×1



Flat Screwdriver×2



Warranty card×1

Note:S-4914 is equipped with 7 antennas,and the other 3 are used for standby.

**SWIT<sup>®</sup>**



Product Registration Link