

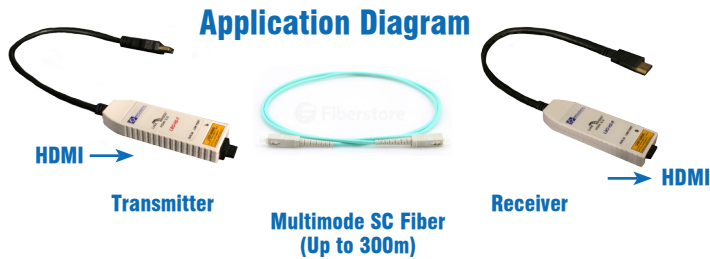


LINK BRIDGE™

LBO-H2-T/R

HDMI 2.0
 →
 1-Way

Link Bridge™ Fiber Optic HDMI 2.0 Transmission Systems



Module (Tx & Rx)

VIDEO SPECIFICATIONS

Resolution	Up to 4K @ 60Hz, 4:4:4
Connector	HDMI Male
Protocol	DDC/EDID/HDCP 2.2 Capable

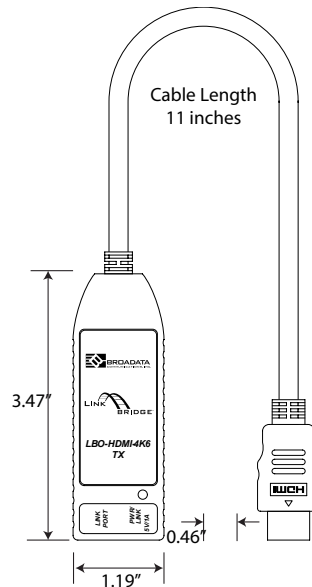
PHYSICAL

<i>Dimensions</i>	
Dimension (H x W x D)	0.46" x 1.19" x 3.47"
Power Consumption	+5VDC @ 500mA
LED Indicator	Power/Link/ HDCP
Operating Temperature	0 to +40°C
Humidity	0 to 95% RH, Non-Condensing

FEATURES

- Extend HDMI 2.0 Signals up to 300 meters Over Multimode Fiber (OM3)
- Video Resolutions up to 4K (18 Gbps) @ 60Hz, 4:4:4
- Fully Uncompressed Video & Audio Provides Zero Loss of Quality
- Supports True DDC/EDID/HDCP Transmission Over Fiber
- Video Over 1 Multimode Fiber
- HDCP 2.2 Compliant

DIMENSIONS

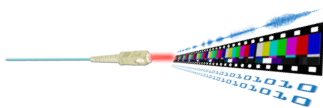


OPTICAL

Fiber Type	Multimode
Number of Fibers	1
Connector	SC/300m

ORDERING INFORMATION

- LBO-H2-T-M-SC, Fiber Transmitter, Multimode, 1-Fiber
- LBO-H2-R-M-SC, Fiber Receiver, Multimode, 1-Fiber
- Add -UPS for International Universal Power Supply



DOING MORE WITH ONE CABLE

