

FEATURES & SPECIFICATIONS

PRECAUTIONS

1. Do not expose this product to direct sunlight.
2. Keep the unit away from radiator, heat sources and magnetic field.
3. Do not place it in very dusty or humid locations.
4. Use this unit in a horizontal position only.
5. Do not put heavy object on top of the converter.
6. Put the unit in an open space that has a good ventilation.
7. If the picture is affected. Keep the unit away from TV or other electronic equipment.
8. Unplug the unit from the power supply when it is not to be used for a long period of time.

FEATURES

- Built in Color bar.
- Input auto detecting.
- Digital conversion from input TV signals of NTSC, N4, PAL, PAL M, PAL N, SECAM to output signals of NTSC, PAL.
- Digital line (525↔625 lines) and field (60 input↔50 field) conversion.
- 6M bit field memory.

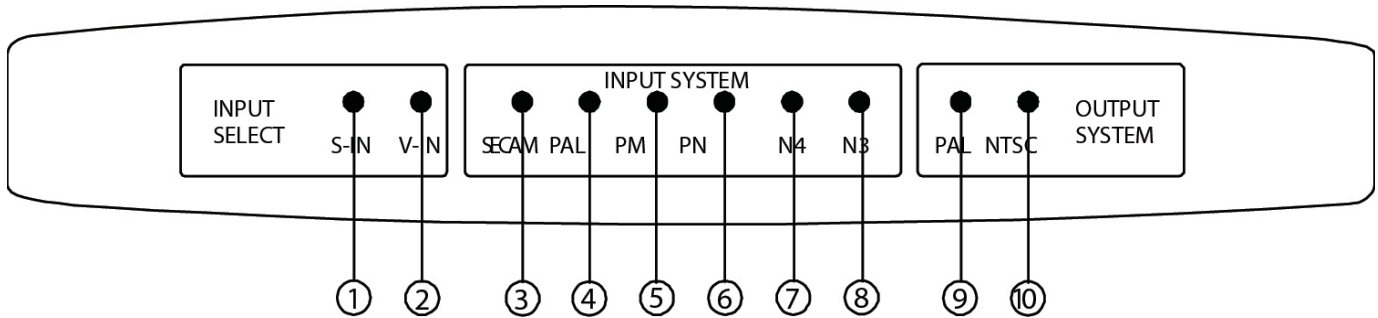
SPECIFICATIONS

Input Systems:	NTSC, N4, PAL, PAL M, PAL N, SECAM
Output TV Systems:	NTSC 3.58, PAL
Connection Terminals Video Input:	1 S input : 1
Video Output:	1 S output: 1
Sampling Frequency:	Y: 13.5 MHz, R-Y: 6.75 MHz, B-Y: 6.75 MHz
Digital Code Bit:	R: 8 bits, G: 8 bits, B: 8 bits
Line:	525↔625
Field:	60↔50
Power:	DC 9V 500mA
Dimension:	9.3"(W) x 5.1"(D) x 1.75"(H) in
Weight:	> 1 lbs
Accessory:	One set of video cable, AC adaptor

OPERATION CONTROLS AND FUNCTIONS

OPERATION CONTROLS AND FUNCTIONS

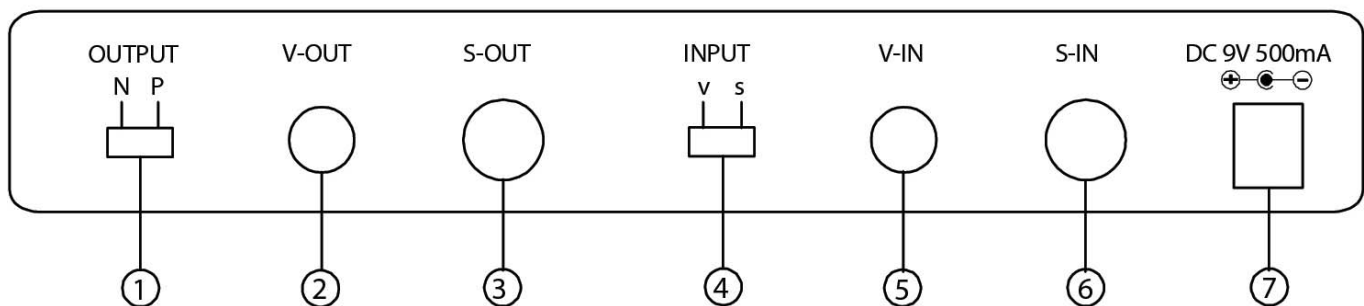
Front Panel



1. Illuminates when S-IN is selected.
 2. Illuminates when V-IN is selected.
 3. Illuminates when input system is SECAM.
 4. Illuminates when input system is PAL.
 5. Illuminates when input is PAL M.
 6. Illuminates when input is PAL N.
 7. Illuminates when input is NTSC 4.43.
 8. Illuminates when input is NTSC 3.58.
 9. Illuminates when output system is PAL.
 10. Illuminates when output system is NTSC.
- When no signal is selected, led 3~led 8 will illuminate in sequence, and the unit will output a color bar pattern.

OPERATION CONTROLS AND FUNCTIONS

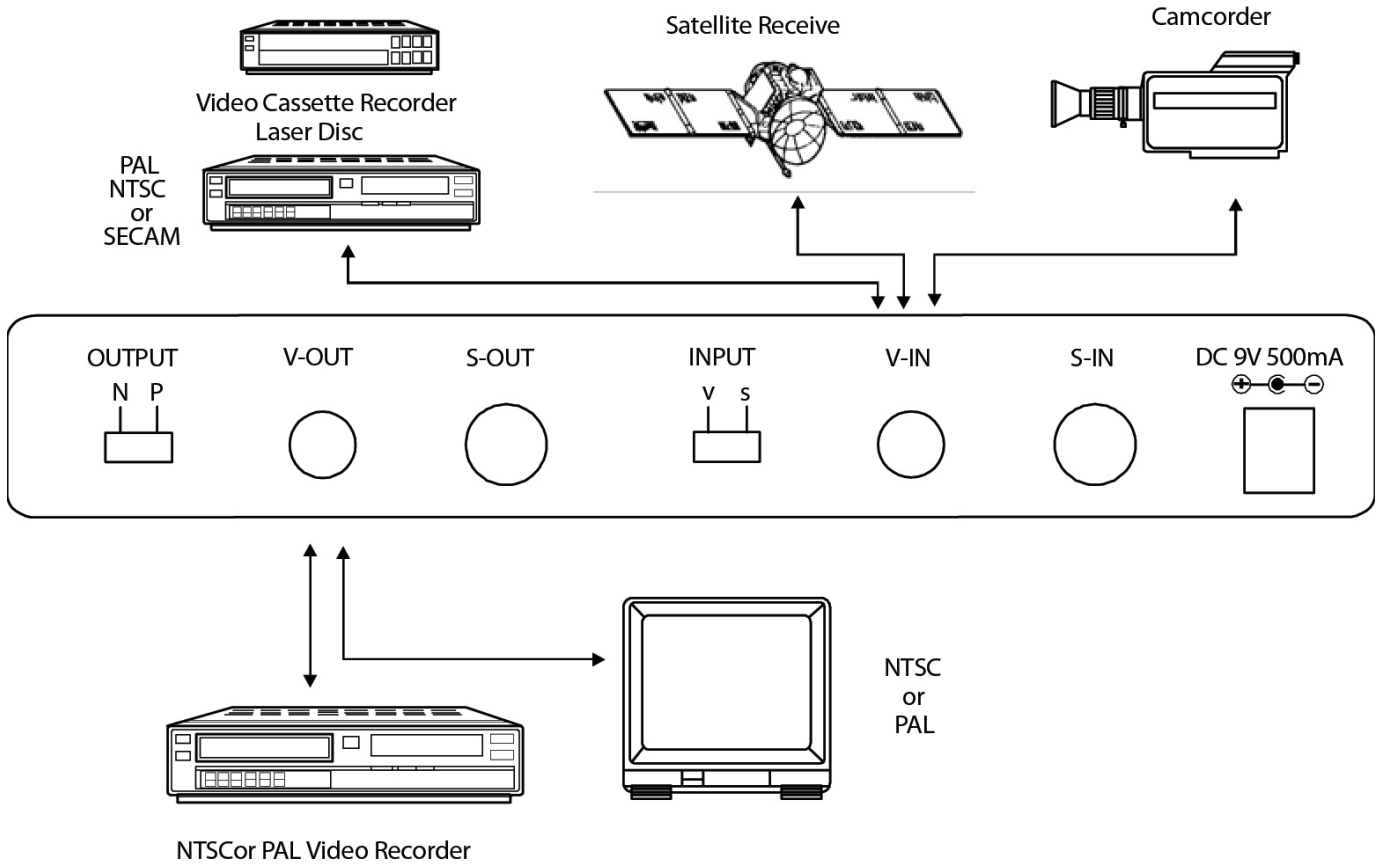
Rear Panel



1. **Output System Select Switch:** Set the switch to the type of signal you wish to output. N,P stand for output signals of PAL, NTSC 3.58, respectively.
2. Video Output.
3. S-Video Output.
4. **Input Signal Select Switch:** Set the switch to select V-In or S-In.
5. Video Input.
6. S-Video Input.
7. DC Power Supply Input.

CONNECTION AND INSTALLATION

CONNECTION AND INSTALLATION



SHINYBOW™ USA

MULTIMEDIA AUDIO AND VISUAL
