

# Gefen

®

## Extender for HDMI 1.3 over CAT5 with Ethernet

**EXT-HDMI1.3-CAT5-ELR**  
User's Manual



[www.gefen.com](http://www.gefen.com)

## ASKING FOR ASSISTANCE

---

### Technical Support:

Telephone (818) 772-9100  
(800) 545-6900

Fax (818) 772-9120

### Technical Support Hours:

8:00 AM to 5:00 PM Monday thru Friday PST

### Write To:

Gefen Inc.  
c/o Customer Service  
20600 Nordhoff St  
Chatsworth, CA 91311

[www.gefen.com](http://www.gefen.com)  
[support@gefen.com](mailto:support@gefen.com)

### Notice

Gefen Inc. reserves the right to make changes in the hardware, packaging and any accompanying documentation without prior written notice.

**Extender for HDMI1.3 over CAT-5 with Ethernet**  
is a trademark of Gefen Inc.

© 2009 Gefen Inc., All Rights Reserved.

All trademarks are the property of their respective owners.

**Rev X9**

# CONTENTS

---

- 1 Introduction**
- 2 Operation Notes**
- 3 Features**
- 4 Sender Panel Descriptions**
- 5 Receiver Panel Descriptions**
- 6 Connecting and Operating the EXT-HDMI1.3-CAT5-ELR**
- 7 Network Cable Wiring Diagram**
- 8 Mounting Plate Installation**
- 9 Terminology**
- 10 Specifications**
- 11 Warranty**

# INTRODUCTION

---

Congratulations on your purchase of the Extender for HDMI 1.3 over CAT5 with Ethernet. Your complete satisfaction is very important to us.

## Gefen

Gefen delivers innovative, progressive computer and electronics add-on solutions that harness integration, extension, distribution and conversion technologies. Gefen's reliable, plug-and-play products supplement cross-platform computer systems, professional audio/video environments and HDTV systems of all sizes with hard-working solutions that are easy to implement and simple to operate.

## The Gefen Extender for HDMI 1.3 over CAT5 with Ethernet

The Extender for HDMI 1.3 over CAT5 with Ethernet extends a Hi-Def display with multi-channel digital audio and Ethernet at resolutions of up to 1080p60 at up to 330 feet (100 meters) away from a HDMI or DVI-D source using one CAT-5 cable.

DVI-D is supported when used with an HDMI to DVI Adapter, providing greater flexibility and options when integrating several home theater components.

Extension of Ethernet connectivity enables internet or local area network access for HDTVs, home PCs, video game consoles, DVRs and any device that needs fast 10/100Base-T network access, at convenient locations.

The IR back-channel feature lets users control Hi-Def sources as if they were located at the display. IR commands are processed by the IR eye on the receiver, transmitted back over the CAT5 extension, and then sent to original A/V source devices located by the sender unit using the IR Blaster (sold separately).

## How It Works

Connect the Gefen Extender for HDMI 1.3 over CAT5 with Ethernet sender unit to the A/V and Ethernet source devices such as infrastructure, routers and switches using short HDMI and CAT5 cables. Do the same operation between the Extender receiver and the extended HD Display and any network devices that you are connecting to. When the Extender sender and receiver units have been connected to sources, displays and network equipment, connect a single CAT5 extension cable between sender and receiver. The Extender sender and receiver units may be up to 330 feet apart.

**Note:** The Extender for HDMI 1.3 over CAT5 with Ethernet is fully HDMI and HDCP compliant.

## **OPERATION NOTES**

---

### **READ THESE NOTES BEFORE INSTALLING OR OPERATING THE EXTENDER FOR HDMI 1.3 OVER CAT5 WITH ETHERNET**

- The Extender for HDMI 1.3 over CAT5 with Ethernet units are housed in a metal box for better RF shielding.
- CAT-5 cables should not exceed 330 feet.
- Shielded CAT-6 with metal RJ-45 connectors are recommended to safeguard against random video flashes caused by electromagnetic interference (EMI).

# FEATURES

---

## Features

- Extends HDMI1.3 at 1080p60 over Ethernet up to 330 feet along with Ethernet and IR commands
- Built-in IR extender function allows IR remote control of source devices from remote viewing location by sending IR commands received in the vicinity of the Display back to the source devices
- Supports resolutions up to 1080p60 and 1920 x 1200 @ 60 Hz
- Supports high bit-rate multi-channel audio formats (Dolby TrueHD / DTS Master Audio) embedded in the HDMI 1.3 signal
- Fully HDMI and HDCP compliant
- Extends Ethernet protocol from a network switch to a device up to 330 feet away
- Maximum Ethernet throughput of 100 Mbits/sec, Full Duplex mode
- Locking power connectors on the Extender units and power supplies for secure connections
- Eliminates equipment noise in the viewing environment
- All-digital signal transmission over the CAT5 cable for zero signal loss
- Built-in auto video signal equalization

## Package Includes

- (1) Extender for HDMI 1.3 over CAT5 with Ethernet Sender Unit
- (1) Extender for HDMI 1.3 over CAT5 with Ethernet Receiver Unit
- (1) 6 foot HDMI to HDMI locking cable (M-M)
- (2) 5V DC Power Supply with locking power connector
- (1) User's Manual

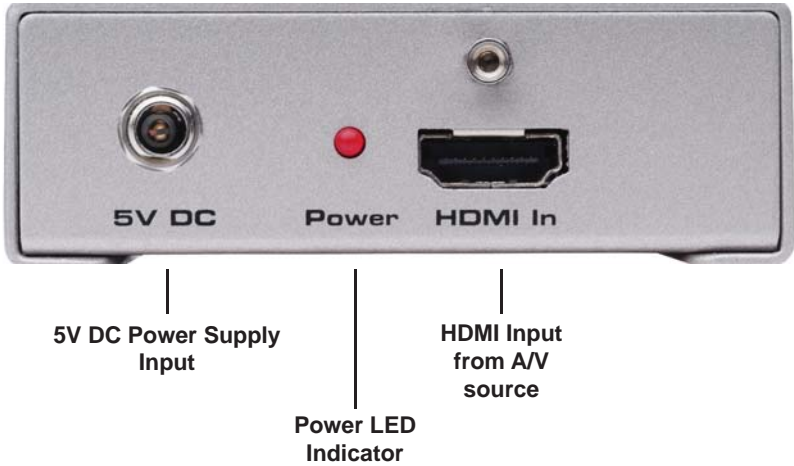
## HDMI 1.3 Features

- 225 MHz (up to 12-bit YUV 444 @ 1080p)
- Dolby<sup>™</sup> TrueHD & DTS Master Audio
- Deep Color Supported (XV Color)
- Lip-Sync Pass Through
- CECS Pass Through

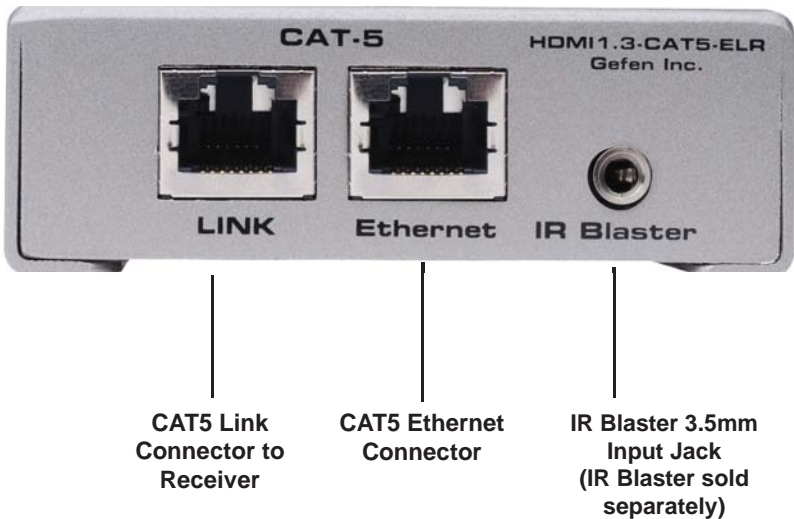
## SENDER PANEL DESCRIPTIONS

---

### Sender Front Panel



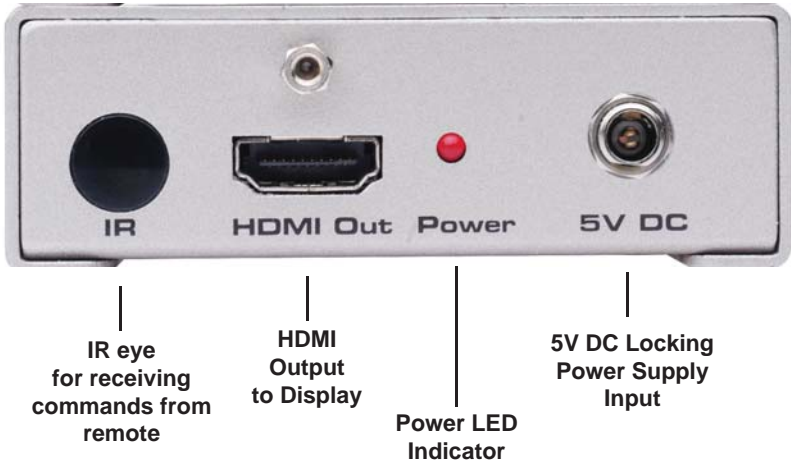
### Sender Back Panel



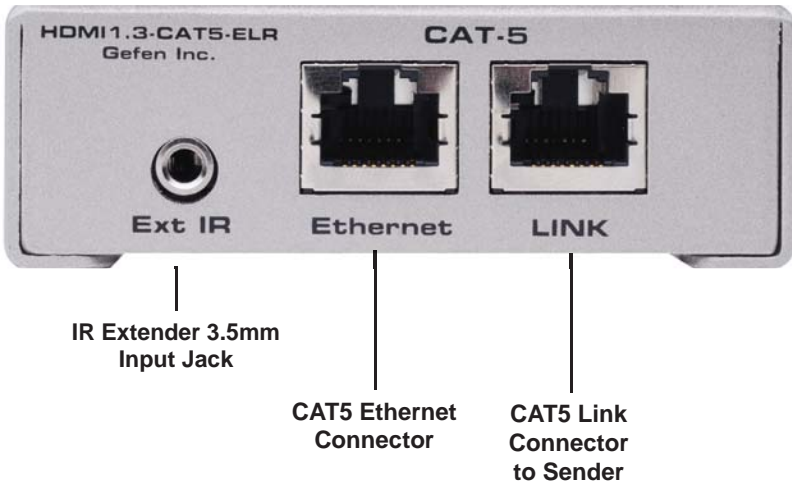
# RECEIVER PANEL DESCRIPTIONS

---

## Receiver Front Panel



## Receiver Back Panel





## CONNECTING AND OPERATING THE EXT-HDMI1.3-CAT5-ELR

---

1. The Extender for HDMI 1.3 over CAT5 with Ethernet has two parts, a sender unit and a receiver unit. Position the sender unit near the HDMI source and the receiver near the Display. Connect the HDMI source to the sender with the provided locking HDMI cable. Connect the Display to the receiver unit with a user-supplied HDMI cable.
2. Connect Ethernet from the device/router to the Ethernet input port on the Extender's sender unit with user-supplied CAT-5, CAT-5e or CAT-6 cables. Connect the Ethernet output port on the receiver to the remote device/router with a short length of user-supplied CAT-5, CAT-5e or CAT-6 cable.
3. Connect the sender and receiver units together using one user-supplied CAT-5e or CAT-6 cables.

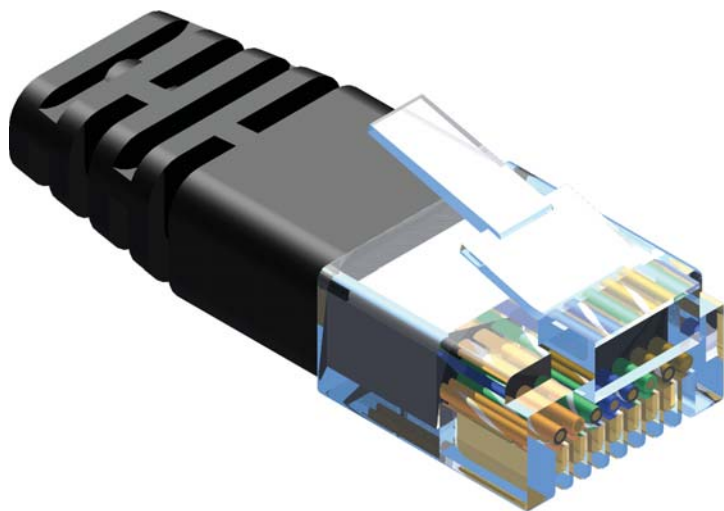
**NOTE:** If terminating network cables in the field, please adhere to the TIA/EIA568B specification. Please see the next page (7).

4. Plug the two 5V DC power supplies into the Extender's sender and receiver units. Power on the sender and receiver units.

**NOTE:** If the power LED indicator on the receiver unit is not on, please check to make sure that the RJ-45/CAT5 cables are not crossed (Ethernet to CAT5 Link instead of Ethernet to Ethernet, for instance).

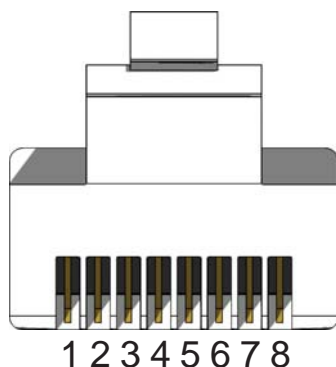
5. Power on the display and the source. A vibrant HD picture will be seen, accompanied by multichannel digital audio (if the Display is capable of audio).

## NETWORK CABLE WIRING DIAGRAM



Gefen has specifically engineered their products to work with the TIA/EIA-568-B specification. Please adhere to the table below when field terminating cable for use with Gefen products. Failure to do so may produce unexpected results and reduced performance.

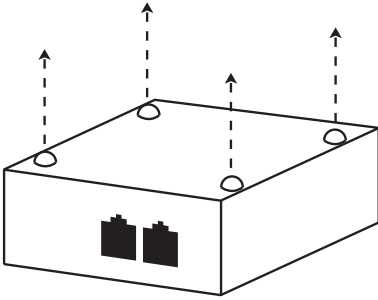
| Pin | Color          |
|-----|----------------|
| 1   | Orange / White |
| 2   | Orange         |
| 3   | Green / White  |
| 4   | Blue           |
| 5   | Blue / White   |
| 6   | Green          |
| 7   | Brown / White  |
| 8   | Brown          |



CAT-5, CAT-5e, and CAT-6 cabling comes in stranded and solid core types. Gefen recommends using solid core cabling. CAT-6 cable is also recommended for best results.

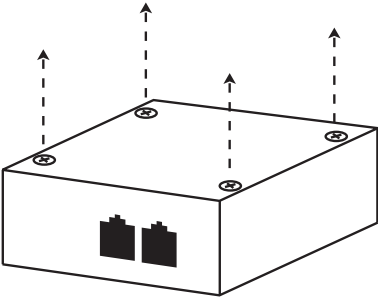
Each cable run must be one continuous run from one end to the other. No splices or use of punch down blocks are allowed since their use can cause a break in the electronic signal.

# Mounting Plate Installation



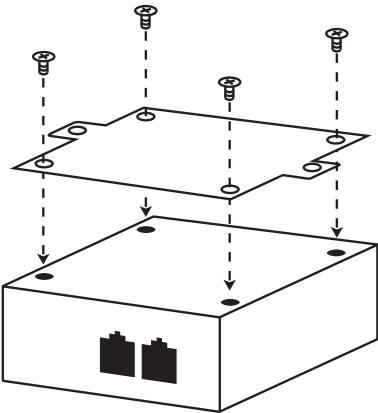
1

Remove the rubber feet covering the screws off the bottom of the unit.



2

Remove the screws.



3

Line up the mounting plates and screw it on to the unit.

## TERMINOLOGY

---

### ***CAT-5***

Category 5 cable, commonly known as Cat 5, is an unshielded twisted pair type cable designed for high signal integrity. The actual standard defines specific electrical properties of the wire, but it is most commonly known as being rated for its Ethernet capability of 100 Mbit/s. Its specific standard designation is EIA/TIA-568. Cat 5 cable typically has three twists per inch of each twisted pair of 24 gauge copper wires within the cable.

### ***CAT-5e***

Similar to Cat 5 cable, but is enhanced to support speeds of up to 1000 Megabits per second.

### ***DDWG***

Digital Display Working Group DDWG are the creators of the DVI specification.

### ***DVI***

Digital Visual Interface. A digital video standard established by DDWG, designed to carry uncompressed digital video signals to a display.

### ***HDMI***

The High-Definition Multi-media Interface (HDMI) is an industry-supported, uncompressed, all-digital audio/video interface. HDMI provides an interface between any compatible digital audio/video source, such as a set-top box, DVD player, and A/V receiver and a compatible digital audio and/or video monitor, such as a digital television (DTV).

### ***HDCP***

High-Bandwidth Digital Content Protection. Created by Intel, HDCP is used with HDTV signals over HDMI and HDMI connections and on D-Theater D-VHS recordings to prevent unauthorized duplication of copy written material.

### ***HDTV***

High-Definition Television. The high-resolution subset of our DTV system. The ATSC defines HDTV as a 16:9 image with twice the horizontal and vertical resolution of our existing system, accompanied by 5.1 channels of Dolby Digital audio. The CEA defines HDTV as an image with 720 progressive or 1080 interlaced active (top to bottom) scan lines. 1280:720p and 1920:1080i are typically accepted as high-definition scan rates.

## SPECIFICATIONS

---

|   |                                   |
|---|-----------------------------------|
| Video Amplifier Bandwidth .....                   | 225 MHz                           |
| Input Video Signal .....                          | 1.2 Volts p-p                     |
| Input DDC Signal .....                            | 5 Volts p-p (TTL)                 |
| Max. Video Resolution Supported .....             | 1080p60 / 1920x1200@60 Hz         |
| Max. Ethernet Data Transfer Rate.....             | 100 Mbps                          |
| Ethernet Packet Transmission Mode (Duplex): ..... | Full                              |
| HDMI Input/Output Connector Type .....            | Type A 19 Pin Female              |
| Link Connector .....                              | RJ-45 Shielded                    |
| Power Input Connector : .....                     | 5V DC locking jack                |
| Power indicator LED: .....                        | Red (active when unit is powered) |
| Power Consumption .....                           | 10 Watts (max) per unit           |
| Power Supply .....                                | 5V DC                             |
| Dimensions .....                                  | 3.4" D x 3.25" W x 1.25" H        |
| Shipping Weight .....                             | 3 lbs.                            |

## WARRANTY

---

Gefen warrants the equipment it manufactures to be free from defects in material and workmanship.

If equipment fails because of such defects and Gefen is notified within two (2) years from the date of shipment, Gefen will, at its option, repair or replace the equipment, provided that the equipment has not been subjected to mechanical, electrical, or other abuse or modifications. Equipment that fails under conditions other than those covered will be repaired at the current price of parts and labor in effect at the time of repair. Such repairs are warranted for ninety (90) days from the day of reshipment to the Buyer.

This warranty is in lieu of all other warranties expressed or implied, including without limitation, any implied warranty or merchantability or fitness for any particular purpose, all of which are expressly disclaimed.

1. Proof of sale may be required in order to claim warranty.
2. Customers outside the US are responsible for shipping charges to and from Gefen.
3. Copper cables are limited to a 30 day warranty and cables must be in their original condition.

The information in this manual has been carefully checked and is believed to be accurate. However, Gefen assumes no responsibility for any inaccuracies that may be contained in this manual. In no event will Gefen be liable for direct, indirect, special, incidental, or consequential damages resulting from any defect or omission in this manual, even if advised of the possibility of such damages. The technical information contained herein regarding the features and specifications is subject to change without notice.

For the latest warranty coverage information, please visit Gefen's Warranty web page at <http://www.gefen.com/kvm/aboutus/warranty.jsp>

## PRODUCT REGISTRATION

**Please register your product online by visiting Gefen's web site at <http://www.gefen.com/kvm/Registry/Registration.jsp>**



\* ma - HDMI 1. 3 - CAT5 - ELR\*

Rev X9

20600 Nordhoff St., Chatsworth CA 91311

1-800-545-6900 818-772-9100 fax: 818-772-9120

[www.gefen.com](http://www.gefen.com) [support@gefen.com](mailto:support@gefen.com)

